



Key Functions

- AHD/CVBS Selectable
- High Speed, Long Distance Real Time Transmission
- NTSC/PAL Selectable
- Defog
- LSC(Lens Shading Correction)
- HSBLC(Hightlight Suppression BLC)
- Motion Detection
- Privacy Masking
- Coaxial Communication

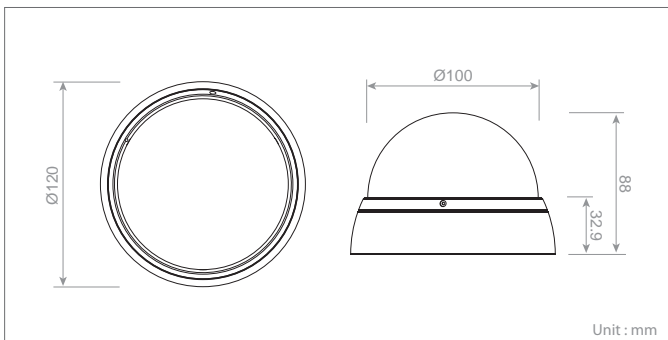
Series Model

- HDGI-N31NN(P)V2A32D - 2.8~12mm VF Lens

Optional Accessory

- HDB344(Wall Mount)
- HDA401(Angle Bracket)

Dimension



HDGI-N31NN(P)F3A32D

1080p AHD Analog IR Plastic Dome Camera

Key Features

- 1/2.8" 2.4M Sony Exmor CMOS Sensor
- 1920x1080p Full HD Resolution(AHD)
- 3.6mm Fixed Lens
- Digital WDR
- Day & Night(IR Cut Filter)
- 3DNR(Digital Noise Reduction)
- Sens-up(~x30)
- Smart IR(24 IR LEDs)

Technical Specifications

Model	HDGI-N31NN(P)F3A32D	
POWER		
Power Source	DC12V±10%	
Power Consumption	Max. 4.5Watts(370mA)	
GENERAL		
Image Sensor	1/2.8" 2.4M Sony CMOS	
Total Pixels	2,000(H)x1,121(V)	
Active Pixels	1,920(H)x1,080(V)	
Scanning System	Progressive	
Sync. System	Internal	
Video Frame Rate	1920x1080p@25fps ; 1920x1080p@30fps	
CVBS Resolution	1000TVL	
Min. Illumination	1.0Lux(Color), 0Lux(BW, IR LED On)	
Video Output	BNC (AHD-High Definition Video Output/CVBS-Standard Definition Video Output)	
IR	IR LED	24EA IR LED(850nm)
	Distance	25M
S/N ratio	More Than 50dB(AGC Off)	
Camera Control	OSD(Joystick switch, Coaxial Communication)	
FUNCTION		
Lens	Manual	
Exposure	Shutter	Auto, 1/60(1/50), FLK~1/50,000sec
	AGC	1~15
	Sens-Up	Off/Auto(x2, x4, x6, x8, x10, x15, x20, x25, x30)
	Brightness	1~100
	DWDR	Off/On/Auto
	Defog	Off/Auto
Backlight	Off/BLC/HSBLC	
White Balance	ATW/Push/Indoor/Outdoor/Manual/AWB	
Day & Night	Auto/Color/B&W	
DNR	2DNR	Off/Low/Middle/High
	3DNR	Off/Low/Middle/High
Special	Camera Title	Off/On
	D-Effect	Off/Freeze/Mirror/Neg.Image
	Motion Detection	Off/On(4 Zone)
	Privacy Masking	Off/On(4 Zone)
	Language	ENG/JPN/CHN1/CHN2/KOR/GER/FRA/ITA/SPA/POL/RUS/POR/NED/TUR/HEB/ARB
	Defect Detection	Live DPC/White DPC/Black DPC
	Sharpness	Off/Auto(0~10)
	Monitor	CRT/LCD
	LSC(Shading)	Off/On
	Video Mode	NTSC/PAL
COMET	Off/On	
Save & Exit	Save & Exit/No Save/Reset	
CONNECTOR & ETC		
Power Input	DC Jack	
Video Output	BNC Connector - AHD, CVBS	
Transmission Distance	Over 500m Via 75-3 Coaxial Cable	
Lens Mount	Fixed Mount	
Lens	f=3.6mm F2.0 Fixed Lens, ICR(D&N)	
Operating Temperature	-10~+50°C (14~122°F)	
Operating Humidity	0~96%(Non-Condensing)	
External Dimension	Ø120x88mm	
Weight	260g	

Specifications are subject to change without notice.



Key Functions

- AHD/CVBS Selectable
- High Speed, Long Distance Real Time Transmission
- NTSC/PAL Selectable
- Defog
- LSC(Lens Shading Correction)
- HSBLC(Hightlight Suppression BLC)
- Motion Detection
- Privacy Masking
- Coaxial Communication

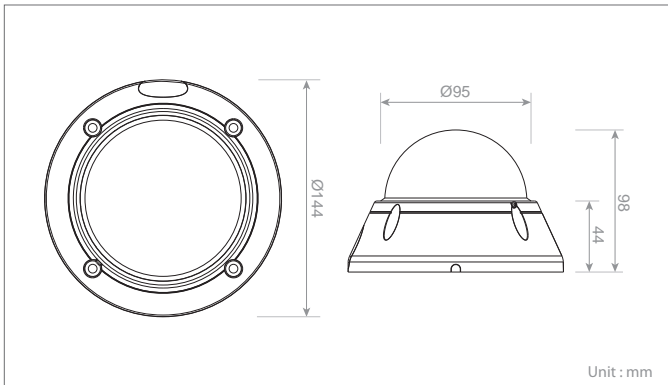
Series Model

- HDGI-N31NN(P)V2S22D - 2.8~12mm VF Lens

Optional Accessory

- HDB243(Wall Mount)
- HVPWB2(Wall Mount)
- HVPCB2(Ceiling Mount)
- HCM150(Corner Mount)
- HCM151(Pole Mount)
- HDA401(Angle Bracket)
- HDA302(Conduit Adapter)

Dimension



HDGI-N31NN(P)F3S22D

1080p AHD Analog IR VP Dome Camera

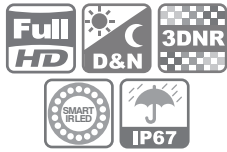
Key Features

- 1/2.8" 2.4M Sony Exmor CMOS Sensor
- 1920x1080p Full HD Resolution(AHD)
- 3.6mm Fixed Lens
- Digital WDR
- Day & Night(IR Cut Filter)
- 3DNR(Digital Noise Reduction)
- Sens-up(~x30)
- Smart IR(24 IR LEDs)
- IP66, Vandal Proof

Technical Specifications

Model		HDGI-N31NN(P)F3S22D
POWER		
Power Source		DC12V±10%
Power Consumption		Max. 4.3Watts(360mA)
GENERAL		
Image Sensor		1/2.8" 2.4M Sony CMOS
Total Pixels		2,000(H)x1,121(V)
Active Pixels		1,920(H)x1,080(V)
Scanning System		Progressive
Sync. System		Internal
Video Frame Rate		1920x1080p@25fps ; 1920x1080p@30fps
CVBS Resolution		1000TVL
Min. Illumination		1.0Lux(Color), 0Lux(BW, IR LED On)
Video Output		BNC (AHD-High Definition Video Output/CVBS-Standard Definition Video Output)
IR	IR LED	24EA IR LED(850nm)
	Distance	25M
S/N ratio		More Than 50dB(AGC Off)
Camera Control		OSD(Joystick switch, Coaxial Communication)
FUNCTION		
Lens		Manual
Exposure	Shutter	Auto, 1/60(1/50), FLK~1/50,000sec
	AGC	1~15
	Sens-Up	Off/Auto(x2, x4, x6, x8, x10, x15, x20, x25, x30)
	Brightness	1~100
	DWDR	Off/On/Auto
	Defog	Off/Auto
Backlight		Off/BLC/HSBLC
White Balance		ATW/Push/Indoor/Outdoor/Manual/AWB
Day & Night		Auto/Color/B&W
DNR	2DNR	Off/Low/Middle/High
	3DNR	Off/Low/Middle/High
	Camera Title	Off/On
D-Effect		Off/Freeze/Mirror/Neg.Image
Motion Detection		Off/On(4 Zone)
Privacy Masking		Off/On(4 Zone)
Language		ENG/JPN/CHN1/CHN2/KOR/GER/FRA/ITA/SPA/POL/RUS/POR/NED/TUR/HEB/ARB
Defect Detection		Live DPC/White DPC/Black DPC
Sharpness		Off/Auto(0~10)
Special	Monitor	CRT/LCD
	LSC(Shading)	Off/On
	Video Mode	NTSC/PAL
	COMET	Off/On
Save & Exit		Save & Exit/No Save/Reset
CONNECTOR & ETC		
Power Input		DC Jack
Video Output		BNC Connector - AHD, CVBS
Transmission Distance		Over 500m Via 75-3 Coaxial Cable
Lens Mount		Fixed Mount
Lens		f=3.6mm F2.0 Fixed Lens, ICR(D&N)
Operating Temperature		-10~+50 °C (14~122°F)
Operating Humidity		0~96%(Non-Condensing)
External Dimension		Ø144x98mm
Weight		530g
Ingress Protection		IP66

Specifications are subject to change without notice.



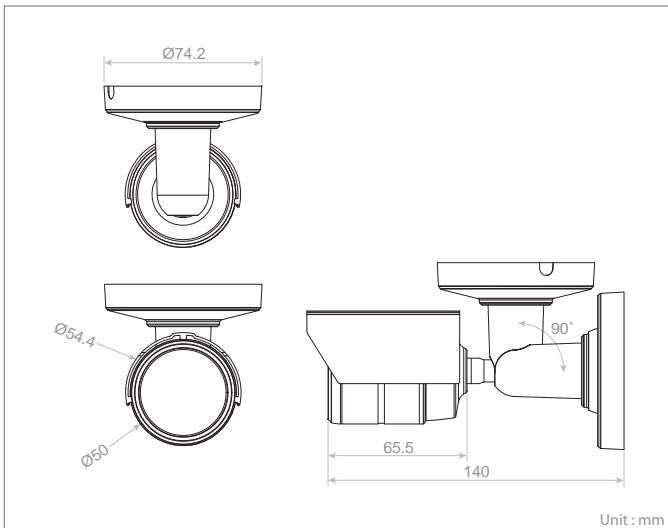
Key Functions

- AHD/CVBS Selectable
- High Speed, Long Distance Real Time Transmission
- Coaxial Communication

Optional Accessory

- HJB200(Junction Box)

Dimension



HDUI-N31NN(P)F3U1D

1080p AHD Analog IR Bullet Camera

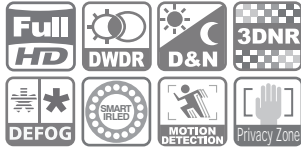
Key Features

- 1/2.8" 2.4M Sony Exmor CMOS Sensor
- 1920x1080p Full HD Resolution(AHD)
- 3.6mm Fixed Lens
- Day & Night(IR Cut Filter)
- 3DNR(Digital Noise Reduction)
- Smart IR(24 IR LEDs)
- IP67

Technical Specifications

Model	HDUI-N31NN(P)F3U1D	
POWER		
Power Source	DC12V±10%	
Power Consumption	Max. 4.5Watts(370mA)	
GENERAL		
Image Sensor	1/2.8" 2.4M Sony CMOS	
Total Pixels	2,000(H)x1,121(V)	
Active Pixels	1,920(H)x1,080(V)	
Scanning System	Progressive	
Sync. System	Internal	
Video Frame Rate	1920x1080p@25fps ; 1920x1080p@30fps	
CVBS Resolution	1000TVL	
Min. Illumination	1.0Lux(Color), 0Lux(BW, IR LED On)	
Video Output	BNC (AHD-High Definition Video Output/CVBS-Standard Definition Video Output)	
IR	IR LED	24EA IR LED(850nm)
	Distance	25M
S/N ratio	More Than 50dB(AGC Off)	
Camera Control	OSD(Joystick switch, Coaxial Communication)	
FUNCTION		
Auto Exposure	On	
Electronic Shutter	Auto	
White Balance	ATW(Auto)	
Day & Night	Auto	
DNR	2D/3D On	
AGC	On	
Gamma	Auto	
CONNECTOR & ETC		
Power Input	DC Jack	
Video Output	BNC Connector - AHD, CVBS	
Transmission Distance	Over 500m Via 75-3 Coaxial Cable	
Lens Mount	Fixed Mount	
Lens	f=3.6mm F2.0 Fixed Lens, ICR(D&N)	
Operating Temperature	-10~+50 °C (14~122°F)	
Operating Humidity	0~96%(Non-Condensing)	
External Dimension	Ø50(W)x140(D)mm	
Weight	425g	
Ingress Protection	IP67	

Specifications are subject to change without notice.



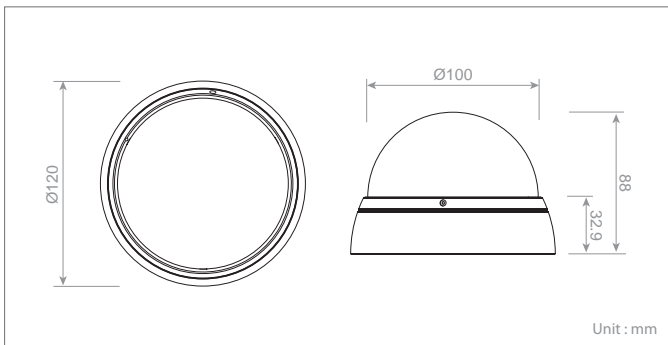
Key Functions

- AHD/CVBS Selectable
- High Speed, Long Distance Real Time Transmission
- NTSC/PAL Selectable
- Defog
- LSC(Lens Shading Correction)
- HSBLC(Hightlight Suppression BLC)
- Motion Detection
- Privacy Masking
- Coaxial Communication

Optional Accessory

- HDB344(Wall Mount)
- HDA401(Angle Bracket)

Dimension



HDGI-N31NN(P)V2A32D

1080p AHD Analog IR Plastic Dome Camera

Key Features

- 1/2.8" 2.4M Sony Exmor CMOS Sensor
- 1920x1080p Full HD Resolution(AHD)
- 2.8~12mm Varifocal Lens
- Digital WDR
- Day & Night(IR Cut Filter)
- 3DNR(Digital Noise Reduction)
- Sens-up(~x30)
- Smart IR(24 IR LEDs)

Technical Specifications

Model	HDGI-N31NN(P)V2A32D	
POWER		
Power Source	DC12V±10%	
Power Consumption	Max. 4.3Watts(360mA)	
GENERAL		
Image Sensor	1/2.8" 2.4M Sony CMOS	
Total Pixels	2,000(H)x1,121(V)	
Active Pixels	1,920(H)x1,080(V)	
Scanning System	Progressive	
Sync. System	Internal	
Video Frame Rate	1920x1080p@25fps ; 1920x1080p@30fps	
CVBS Resolution	1000TVL	
Min. Illumination	1.0Lux(Color), 0Lux(BW, IR LED On)	
Video Output	BNC (AHD-High Definition Video Output/CVBS-Standard Definition Video Output)	
IR	IR LED	24EA IR LED(850nm)
	Distance	25M
S/N ratio	More Than 50dB(AGC Off)	
Camera Control	OSD(Joystick switch, Coaxial Communication)	
FUNCTION		
Lens	DC/ Manual	
Exposure	Shutter	Auto, 1/60(1/50), FLK~1/50,000sec
	AGC	1~15
	Sens-Up	Off/Auto(x2, x4, x6, x8, x10, x15, x20, x25, x30)
	Brightness	1~100
	DWDR	Off/On/Auto
	Defog	Off/Auto
Backlight	Off/BLC/HSBLC	
White Balance	ATW/Push/Indoor/Outdoor/Manual/AWB	
Day & Night	Auto/Color/B&W	
DNR	2DNR	Off/Low/Middle/High
	3DNR	Off/Low/Middle/High
Camera Title	Off/On	
D-Effect	Off/Freeze/Mirror/Neg.Image	
Motion Detection	Off/On(4 Zone)	
Privacy Masking	Off/On(4 Zone)	
Language	ENG/JPN/CHN1/CHN2/KOR/GER/FRA/ITA/SPA/POL/RUS/POR/NED/TUR/HEB/ARB	
Defect Detection	Live DPC/White DPC/Black DPC	
Sharpness	Off/Auto(0~10)	
Monitor	CRT/LCD	
LSC(Shading)	Off/On	
Video Mode	NTSC/PAL	
COMET	Off/On	
Save & Exit	Save & Exit/No Save/Reset	
CONNECTOR & ETC		
Power Input	DC Jack	
Video Output	BNC Connector - AHD, CVBS	
Transmission Distance	Over 500m Via 75-3 Coaxial Cable	
Lens Mount	Fixed Mount	
Lens	f=2.8~12mm F1.2~360 Varifocal, ICR(D&N)	
Operating Temperature	-10~+50 °C (14~122°F)	
Operating Humidity	0~96%(Non-Condensing)	
External Dimension	Ø120x88mm	
Weight	300g	

Specifications are subject to change without notice.



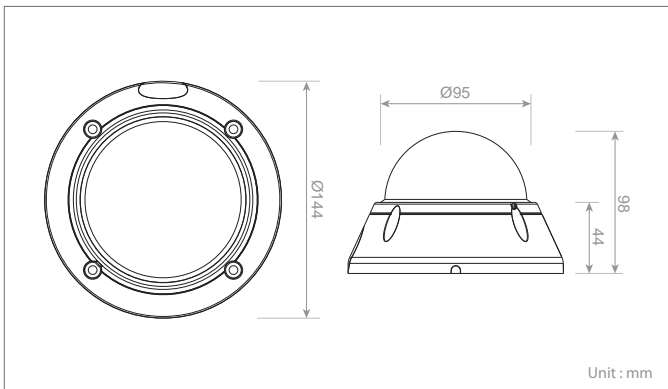
Key Functions

- AHD/CVBS Selectable
- High Speed, Long Distance Real Time Transmission
- NTSC/PAL Selectable
- Defog
- LSC(Lens Shading Correction)
- HSBLC(Highlight Suppression BLC)
- Motion Detection
- Privacy Masking
- Coaxial Communication

Optional Accessory

- HDB243(Wall Mount)
- HVPWB2(Wall Mount)
- HVPCB2(Ceiling Mount)
- HCM150(Corner Mount)
- HCM151(Pole Mount)
- HDA401(Angle Bracket)
- HDA302(Conduit Adapter)

Dimension



HDGI-N31NN(P)V2S22D

1080p AHD Analog IR VP Dome Camera

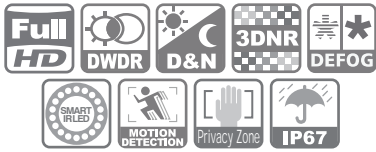
Key Features

- 1/2.8" 2.4M Sony Exmor CMOS Sensor
- 1920x1080p Full HD Resolution(AHD)
- 2.8~12mm Varifocal Lens
- Digital WDR
- Day & Night(IR Cut Filter)
- 3DNR(Digital Noise Reduction)
- Sens-up(~x30)
- Smart IR(24 IR LEDs)
- IP66, Vandal Proof

Technical Specifications

Model	HDGI-N31NN(P)V2S22D	
POWER		
Power Source	DC12V±10%	
Power Consumption	Max. 4.3Watts(360mA)	
GENERAL		
Image Sensor	1/2.8" 2.4M Sony CMOS	
Total Pixels	2,000(H)x1,121(V)	
Active Pixels	1,920(H)x1,080(V)	
Scanning System	Progressive	
Sync. System	Internal	
Video Frame Rate	1920x1080p@25fps ; 1920x1080p@30fps	
CVBS Resolution	1000TVL	
Min. Illumination	1.0Lux(Color), 0Lux(BW, IR LED On)	
Video Output	BNC (AHD-High Definition Video Output/CVBS-Standard Definition Video Output)	
IR	IR LED	24EA IR LED(850nm)
	Distance	25M
S/N ratio	More Than 50dB(AGC Off)	
Camera Control	OSD(Joystick switch, Coaxial Communication)	
FUNCTION		
Lens	DC/ Manual	
Exposure	Shutter	Auto, 1/60(1/50), FLK~1/50,000sec
	AGC	1~15
	Sens-Up	Off/Auto(x2, x4, x6, x8, x10, x15, x20, x25, x30)
	Brightness	1~100
	DWDR	Off/On/Auto
	Defog	Off/Auto
Backlight	Off/BLC/HSBLC	
White Balance	ATW/Push/Indoor/Outdoor/Manual/AWB	
Day & Night	Auto/Color/B&W	
DNR	2DNR	Off/Low/Middle/High
	3DNR	Off/Low/Middle/High
Special	Camera Title	Off/On
	D-Effect	Off/Freeze/Mirror/Neg.Image
	Motion Detection	Off/On(4 Zone)
	Privacy Masking	Off/On(4 Zone)
	Language	ENG/JPN/CHN1/CHN2/KOR/GER/FRA/ITA/SPA/POL/RUS/POR/NED/TUR/HEB/ARB
	Defect Detection	Live DPC/White DPC/Black DPC
	Sharpness	Off/Auto(0~10)
	Monitor	CRT/LCD
	LSC(Shading)	Off/On
	Video Mode	NTSC/PAL
COMET	Off/On	
Save & Exit	Save & Exit/No Save/Reset	
CONNECTOR & ETC		
Power Input	DC Jack	
Video Output	BNC Connector - AHD, CVBS	
Transmission Distance	Over 500m Via 75-3 Coaxial Cable	
Lens Mount	Fixed Mount	
Lens	f=2.8~12mm F1.2~360 Varifocal, ICR(D&N)	
Operating Temperature	-10~+50 °C (14~122°F)	
Operating Humidity	0~96%(Non-Condensing)	
External Dimension	Ø144x98mm	
Weight	530g	
Ingress Protection	IP66	

Specifications are subject to change without notice.



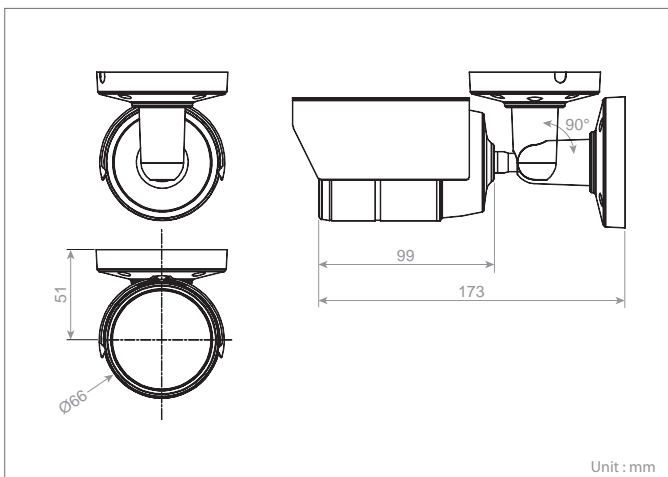
Key Functions

- AHD/CVBS Selectable
- High Speed, Long Distance Real Time Transmission
- NTSC/PAL Selectable
- Defog
- LSC(Lens Shading Correction)
- HSBLC(Hightlight Suppression BLC)
- Motion Detection
- Privacy Masking
- Coaxial Communication

Optional Accessory

- HJB200(Junction Box)

Dimension



HDUI-N31NN(P)V2U2D

1080p AHD Analog IR Bullet Camera

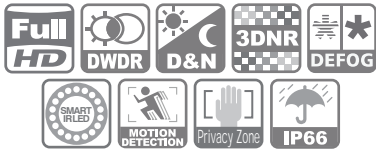
Key Features

- 1/2.8" 2.4M Sony Exmor CMOS Sensor
- 1920x1080p Full HD Resolution(AHD)
- 2.8~12mm Varifocal Lens
- Digital WDR
- Day & Night(IR Cut Filter)
- 3DNR(Digital Noise Reduction)
- Sens-up(~x30)
- Smart IR(30 IR LEDs)
- IP67

Technical Specifications

Model		HDUI-N31NN(P)V2U2D	
POWER			
Power Source		DC12V±10%	
Power Consumption		Max. 4.8Watts(400mA)	
GENERAL			
Image Sensor		1/2.8" 2.4M Sony CMOS	
Total Pixels		2,000(H)x1,121(V)	
Active Pixels		1,920(H)x1,080(V)	
Scanning System		Progressive	
Sync. System		Internal	
Video Frame Rate		1920x1080p@25fps ; 1920x1080p@30fps	
CVBS Resolution		1000TVL	
Min. Illumination		1.0Lux(Color), 0Lux(BW, IR LED On)	
Video Output		BNC (AHD-High Definition Video Output/CVBS-Standard Definition Video Output)	
IR	IR LED	30EA IR LED(850nm)	
	Distance	30M	
S/N ratio		More Than 50dB(AGC Off)	
Camera Control		OSD(Joystick switch, Coaxial Communication)	
FUNCTION			
Lens		DC/ Manual	
Exposure	Shutter	Auto, 1/60(1/50), FLK~1/50,000sec	
	AGC	1~15	
	Sens-Up	Off/Auto(x2, x4, x6, x8, x10, x15, x20, x25, x30)	
	Brightness	1~100	
	DWDR	Off/On/Auto	
	Defog	Off/Auto	
Backlight		Off/BLC/HSBLC	
White Balance		ATW/Push/Indoor/Outdoor/Manual/AWB	
Day & Night		Auto/Color/B&W	
DNR	2DNR	Off/Low/Middle/High	
	3DNR	Off/Low/Middle/High	
Special	Camera Title	Off/On	
	D-Effect	Off/Freeze/Mirror/Neg.Image	
	Motion Detection	Off/On(4 Zone)	
	Privacy Masking	Off/On(4 Zone)	
	Language	ENG/JPN/CHN1/CHN2/KOR/GER/FRA/ITA/SPA/POL/RUS/POR/NED/TUR/HEB/ARB	
	Defect Detection	Live DPC/White DPC/Black DPC	
	Sharpness	Off/Auto(0~10)	
	Monitor	CRT/LCD	
	LSC(Shading)	Off/On	
	Video Mode	NTSC/PAL	
	COMET	Off/On	
	Save & Exit		Save & Exit/No Save/Reset
	CONNECTOR & ETC		
	Power Input		DC Jack
Video Output		BNC Connector - AHD, CVBS	
Transmission Distance		Over 500m Via 75-3 Coaxial Cable	
Lens Mount		Fixed Mount	
Lens		f=2.8~12mm F1.2~360 Varifocal, ICR(D&N)	
Operating Temperature		-10~+50°C (14~122°F)	
Operating Humidity		0~96%(Non-Condensing)	
External Dimension		Ø66(W)x173(D)mm	
Weight		450g	
Ingress Protection		IP67	

Specifications are subject to change without notice.

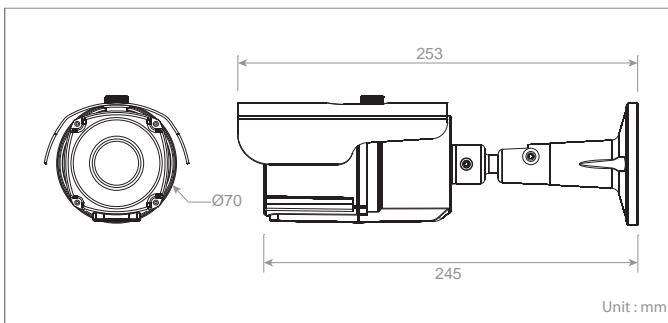


Key Functions

- AHD/CVBS Selectable
- High Speed, Long Distance Real Time Transmission
- NTSC/PAL Selectable
- Defog
- LSC(Lens Shading Correction)
- HSBLC(Hightlight Suppression BLC)
- Motion Detection
- Privacy Masking
- Coaxial Communication

Optional Accessory

Dimension



HDUI-N31NN(P)V2C2D

1080p AHD Analog IR Bullet Camera

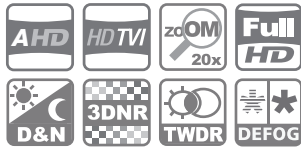
Key Features

- 1/2.8" 2.4M Sony Exmor CMOS Sensor
- 1920x1080p Full HD Resolution(AHD)
- 2.8~12mm Varifocal Lens
- Digital WDR
- Day & Night(IR Cut Filter)
- 3DNR(Digital Noise Reduction)
- Sens-up(~x30)
- Smart IR(IR LEDs)
- IP6

Technical Specifications

Model	HDUI-N31NN(P)V2 2D	
POWER		
Power Source	DC12V±10%	
Power Consumption	Max. 4.8Watts(400mA)	
GENERAL		
Image Sensor	1/2.8" 2.4M Sony CMOS	
Total Pixels	2,000(H)x1,121(V)	
Active Pixels	1,920(H)x1,080(V)	
Scanning System	Progressive	
Sync. System	Internal	
Video Frame Rate	1920x1080p@25fps ; 1920x1080p@30fps	
CVBS Resolution	1000TVL	
Min. Illumination	1.0Lux(Color), 0Lux(BW, IR LED On)	
Video Output	BNC (AHD-High Definition Video Output/CVBS-Standard Definition Video Output)	
IR	IR LED	EA IR LED(850nm)
	Distance	0M
S/N ratio	More Than 50dB(AGC Off)	
Camera Control	OSD(Joystick switch, Coaxial Communication)	
FUNCTION		
Lens	DC/ Manual	
Exposure	Shutter	Auto, 1/60(1/50), FLK~1/50,000sec
	AGC	1~15
	Sens-Up	Off/Auto(x2, x4, x6, x8, x10, x15, x20, x25, x30)
	Brightness	1~100
	DWDR	Off/On/Auto
	Defog	Off/Auto
Backlight	Off/BLC/HSBLC	
White Balance	ATW/Push/Indoor/Outdoor/Manual/AWB	
Day & Night	Auto/Color/B&W	
DNR	2DNR	Off/Low/Middle/High
	3DNR	Off/Low/Middle/High
Special	Camera Title	Off/On
	D-Effect	Off/Freeze/Mirror/Neg.Image
	Motion Detection	Off/On(4 Zone)
	Privacy Masking	Off/On(4 Zone)
	Language	ENG/JPN/CHN1/CHN2/KOR/GER/FRA/ITA/SPA/POL/RUS/POR/NED/TUR/HEB/ARB
	Defect Detection	Live DPC/White DPC/Black DPC
	Sharpness	Off/Auto(0~10)
	Monitor	CRT/LCD
	LSC(Shading)	Off/On
	Video Mode	NTSC/PAL
	COMET	Off/On
	Save & Exit	Save & Exit/No Save/Reset
CONNECTOR & ETC		
Power Input	DC Jack	
Video Output	BNC Connector - AHD, CVBS	
Transmission Distance	Over 500m Via 75-3 Coaxial Cable	
Lens Mount	Fixed Mount	
Lens	f=2.8~12mm F1.2~360 Varifocal, ICR(D&N)	
Operating Temperature	-10~+50 °C (14~122°F)	
Operating Humidity	0~96%(Non-Condensing)	
External Dimension	Ø (W)x (D)mm	
Weight	g	
Ingress Protection	IP6	

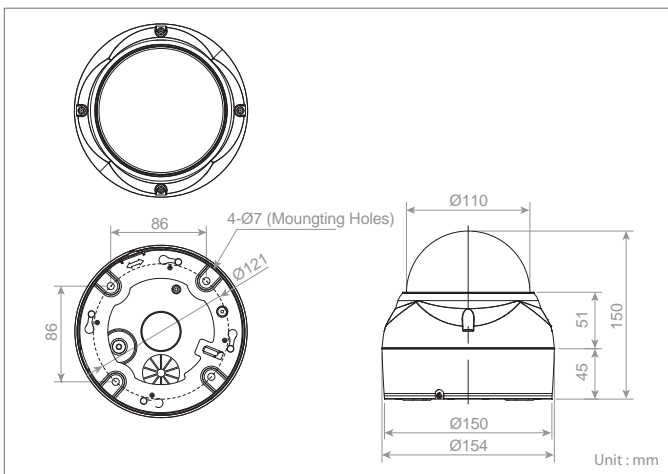
Specifications are subject to change without notice.



Optional Accessory

- HDB243(Wall Bracket)
- HVPCB2(Ceiling Bracket)
- HVPWB2(Wall Bracket)
- HDA301(Conduit Adapter)

Dimension



TMT-22032D3(H)

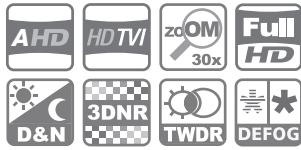
20X HD-TVI & AHD Hybrid Mini Speed Dome Camera

Key Features

- Hybrid HD Analog Camera : AHD or HD-TVI
- 1080p@25/30fps, 720p@50/60fps
- 20X Auto Focus Zoom Lens
- 16X Digital Zoom
- True WDR, True Day & Night
- Max. 380°/sec Speed(Preset)
- Preset(240), Tour(8), Pattern(8), Privacy(8)
- Alarm Input(4), Alarm Output(2)
- 12VDC, 24VAC
- IP66

Technical Specifications

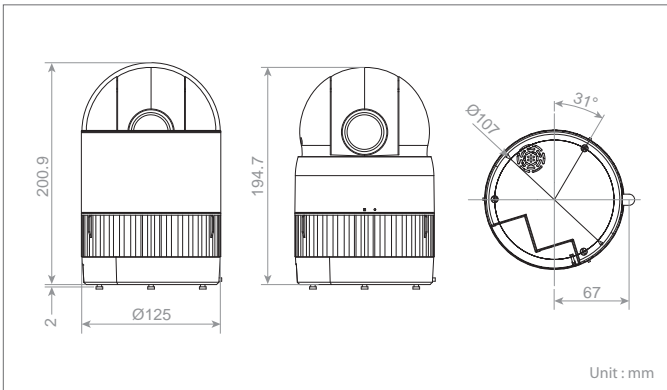
Model	TMT-22032D3	TMT-22032D3H
IMAGE		
Lens	Optical Zoom 20X, 4.7~94mm	
Angle of View	55.5~3°(H)	
Image Sensor	Type	1/2.8"SONY STARVIS CMOS Sensor
	Pixels	1,945(H)x1,109(V)
Min. Illumination	Color : 0.3Lux, BW : 0.01Lux 50IRE	
Scanning Mode	Progressive Scan	
Wide Dynamic Range	True WDR	
Day and Night Mode	True Day & Night	
Noise Reduction	2DNR, 3DNR	
Digital Zoom	16X	
Exposure Control	Auto, Manual, Shutter Priority, Iris Priority	
White Balance Control	Auto, Fluorescent, Incandescent, Outdoor, Manual	
Back Light Compensation	Yes	
Image Effect	Flip(Digital)	
Flicker Free Mode	50Hz, 60Hz	
Shutter Speed	Auto(1/30,000~1/3 sec.), Manual	
Defog	Yes	
VIDEO		
Resolution	1080p@25/30fps, 720p@50/60fps	
Video Output	HD-TVI or AHD, CVBS	
PTZ FUNCTION		
Pan Range	360°Endless	
Pan Speed	Max. 380°/sec.(Preset)	
Tilt Range	0~180°	
Tilt Speed	Max. 380°/sec.(Preset)	
Auto Calibration	0.1~6°	
Preset	240	
Tour	8	
Pattern	8	
Home Function	Yes	
Privacy Mask Zone	8 Programmable Zones	
EXTERNAL IN/OUT		
Video TVI or AHD Output	BNC	
Video Composite Output	BNC	
Alarm	4 Input, 2 Output(Terminal Block)	
Control	RS-485, Baud Rate : 2,400~38,400bps(Default : 9,600bps)	
ID(Camera Address)	1~3999	
ETC		
Operating Humidity	0~90% RH(Non-Condensing)	
Operating Temperature	-10~+50 °C	-30~+50 °C
Power Supply	12VDC, 24VAC	24VAC
Power Consumption	1A(12W)@12VDC	1.5A(22W)@24VAC
Dimension	154(Ø)x150(H)mm	
Net Weight	Approx. 1.6kg	
Ingress Protection	IP66	



Optional Accessory

- HCH304 Series(Outdoor Housing)
- HDB241(Housing Ceiling Bracket)
- HDB242(Housing Wall Bracket)
- HCS251 Series(Recess Mount Kit)

Dimension



TFT-22033D1(L)

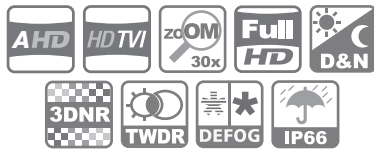
30X HD-TVI & AHD Hybrid Speed Dome Camera

Key Features

- Hybrid HD Analog Camera : AHD or HD-TVI
- 1080p@25/30fps, 720p@50/60fps
- 30X Auto Focus Zoom Lens
- True WDR, True Day & Night
- Max. 380°/sec Speed(Preset)
- Preset(240), Tour(8), Pattern(8), Privacy(8)
- Alarm Input(4), Alarm Output(2)
- 12VDC, 24VAC

Technical Specifications

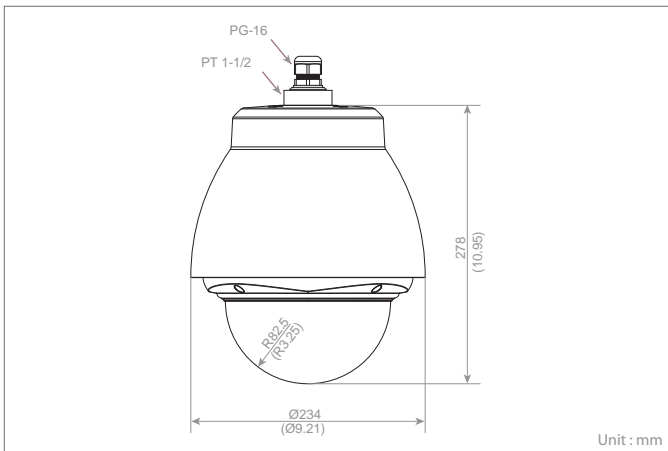
Model	TFT-22033D1(L)
IMAGE	
Lens	Optical Zoom 30X, 4.3~129mm, F1.6~5.0
Angle of View	65.1~2.23°(H)
Image Sensor	1/2.8"SONY Starvis CMOS Sensor
Type	1,952(H)x1,236(V)
Pixels	Color : 0.3Lux, BW : 0.01Lux, F1.6 50IRE
Min. Illumination	Progressive Scan
Scanning Mode	True WDR
Wide Dynamic Range	True Day & Night
Day and Night Mode	2DNR, 3DNR
Noise Reduction	-
Digital Zoom	Auto, Manual, Shutter Priority, Iris Priority
Exposure Control	Auto, WAWB, Manual, Indoor, Outdoor, Fluorescent, Sodium Lamp
White Balance Control	Yes
Back Light Compensation	Flip
Image Effect	50Hz, 60Hz
Flicker Free Mode	Auto(1/10,000~1/5 sec.), Manual
Shutter Speed	Yes
Defog	-
VIDEO	
Resolution	TVI : 1080p@25/30fps, 720p@50/60fps AHD : 1080p@25/30fps, 720p@50/60fps
Video Output	HD-TVI or AHD, Composite
PTZ FUNCTION	
Pan Range	360° Endless
Pan Speed	Max. 380°/sec.(Preset)
Tilt Range	-10~190°
Tilt Speed	Max. 380°/sec.(Preset)
Auto Calibration	0.1~6°
Preset	240
Tour	8
Pattern	8
Home Function	Yes
Privacy Mask Zone	8 Programmable Zones
EXTERNAL IN/OUT	
Video TVI or AHD Output	BNC
Video Composite Output	BNC
Alarm	4 Input, 2 Output(Terminal Block)
Control	RS-485, Baud Rate : 2,400~38,400bps(Default : 9,600bps)
ID(Camera Address)	1~3999
ETC	
Operating Humidity	0~90% RH(Non-Condensing)
Operating Temperature	0~+50 °C
Power Supply	12VDC, 24VAC
Power Consumption	1A(12W)@12VDC, 24VAC
Dimension	125(Ø)x200.9(H)mm
Net Weight	Approx. 1.2kg



Optional Accessory

- HDB241(Housing Ceiling Bracket)
- HDB242(Housing Wall Bracket)
- HCM20(Roof & Parapet Mount)

Dimension



TFT-22033D1A

30X HD-TVI & AHD Hybrid Speed Dome Camera

Key Features

- Hybrid HD Analog Camera : AHD or HD-TVI
- 1080p@25/30fps, 720p@50/60fps
- 30X Auto Focus Zoom Lens
- True WDR, True Day & Night
- Max. 380°/sec Speed(Preset)
- Preset(240), Tour(8), Pattern(8), Privacy(8)
- Alarm Input(4), Alarm Output(2)
- 12VDC, 24VAC
- IP66

Technical Specifications

Model	TFT-22033D1A
IMAGE	
Lens	Optical Zoom 30X, 4.3~129mm, F1.6~5.0
Angle of View	65.1~2.23°(H)
Image Sensor	Type: 1/2.8"SONY Exmor CMOS Sensor Pixels: 1,952(H)x1,236(V)
Min. Illumination	Color : 0.3Lux, BW : 0.01Lux, F1.6 50IRE
Scanning Mode	Progressive Scan
Wide Dynamic Range	True WDR
Day and Night Mode	True Day & Night
Noise Reduction	2DNR, 3DNR
Digital Zoom	-
Exposure Control	Auto, Manual, Shutter Priority, Iris Priority
White Balance Control	Auto, WAWB, Manual, Indoor, Outdoor, Fluorescent, Sodium Lamp
Back Light Compensation	Yes
Image Effect	Flip
Flicker Free Mode	50Hz, 60Hz
Shutter Speed	Auto(1/10,000~1/5 sec.), Manual
Defog	Yes
VIDEO	
Resolution	TVI : 1080p@25/30fps, 720p@50/60fps AHD : 1080p@25/30fps, 720p@50/60fps
Video Output	HD-TVI or AHD, Composite
PTZ FUNCTION	
Pan Range	360° Endless
Pan Speed	Max. 380°/sec.(Preset)
Tilt Range	-10~190°
Tilt Speed	Max. 380°/sec.(Preset)
Auto Calibration	0.1~6°
Preset	240
Tour	8
Pattern	8
Home Function	Yes
Privacy Mask Zone	8 Programmable Zones
EXTERNAL IN/OUT	
Video TVI or AHD Output	BNC
Video Composite Output	BNC
Alarm	4 Input, 2 Output(Terminal Block)
Control	RS-485, Baud Rate : 2,400~38,400bps(Default : 9,600bps)
ID(Camera Address)	1~3999
ETC	
Operating Humidity	0~90% RH(Non-Condensing)
Operating Temperature	-40~+ 5°C
Power Supply	12VDC, 24VAC
Power Consumption	1A(12W)@12VDC or 24VAC, Heater & Fan : 1.7A(45W)@24VAC
Dimension	234(Ø)x278(H)mm
Net Weight	Approx. 3.3kg
Ingress Protection	IP66



TFT-22053D1

30X Full HD HD-TVI&AHD IR Speed Dome Camera

Key Features

- HD Analog Camera : HD-TVI
- 1080p@25/30fps, 720p@50/60fps
- 30X Auto Focus Zoom Lens
- True WDR, True Day & Night
- Max. 380°/sec Speed(Preset)
- Preset(240), Tour(8), Pattern(8), Privacy(8)
- Alarm Input(4), Alarm Output(2)
- 24VAC
- IP66

Technical Specifications

Model	TFT-22053D1	
IMAGE		
Lens	Optical Zoom 30X, 4.3~129mm, F1.6~5.0	
Angle of View	65.1~2.23°(H)	
Image Sensor	Type	1/2.8"SONY Starvis CMOS Sensor
	Pixels	1,945(H)x1,109(V)
Min. Illumination	Color : 0.3Lux, BW : 0.01Lux, F1.6 50IRE	
Scanning Mode	Progressive Scan	
Wide Dynamic Range	True WDR	
Day and Night Mode	True Day & Night	
Noise Reduction	2DNR, 3DNR	
Digital Zoom	16X	
Exposure Control	Auto, Manual, Shutter Priority, Iris Priority	
White Balance Control	Auto, WAWB, Manual, Indoor, Outdoor, Fluorescent, Sodium Lamp	
Back Light Compensation	Yes	
Image Effect	Flip	
Flicker Free Mode	50Hz, 60Hz	
Shutter Speed	Auto(1/10,000~1/5 sec.), Manual	
Defog	Yes	
IR Illuminator	Quantity	Synchronized IR LED, Fixed IR LED
	Angle	5~60°
	Distance	Up to 400M
VIDEO		
Resolution	TVI : 1080p@25/30fps, 720p@50/60fps	
Video Output	HD-TVI Composite	
PTZ FUNCTION		
Pan Range	360°Endless	
Pan Speed	Max. 380°/sec.(Preset)	
Tilt Range	-10~190°	
Tilt Speed	Max. 380°/sec.(Preset)	
Auto Calibration	0.1~6°	
Preset	240	
Tour	8	
Pattern	8	
Home Function	Yes	
Privacy Mask Zone	8 Programmable Zones	
EXTERNAL IN/OUT		
Video TVI Output	BNC	
Video Composite Output	BNC	
Alarm	4 Input, 2 Output(Terminal Block)	
Control	RS-485, Baud Rate : 2,400~38,400bps(Default : 9,600bps)	
ID(Camera Address)	1~3999	
ETC		
Operating Humidity	0~90% RH(Non-Condensing)	
Operating Temperature	- 0~+ °C	
Power Supply	24VAC	
Power Consumption	TBD	
Dimension	201.8(Ø)x370.9(H)mm	
Net Weight	Approx. 4.9kg	
Ingress Protection	IP66	

Optional Accessory

- HDB241(Housing Ceiling Bracket)
- HDB242(Housing Wall Bracket)
- HCS251 Series(Recess Mount Kit)

Dimension

