

HVR-4580



HVR-8580/16580



Key Functions

- S.M.A.R.T. Hard Disk Check
- VCA with Dedicated Cameras
- Protect Video / Audio Clip from Overwrite
- Still Image Capture and Direct Print
- Authentication of Data from Reproduction and Falsification
- Video/Audio Data Backup in AVI / H.264 Format
- Advanced Event Search Function
- Configuration File Import / Export & Camera Setup Cloning
- Dashboard, DDNS, UPnP, NAT Traversal

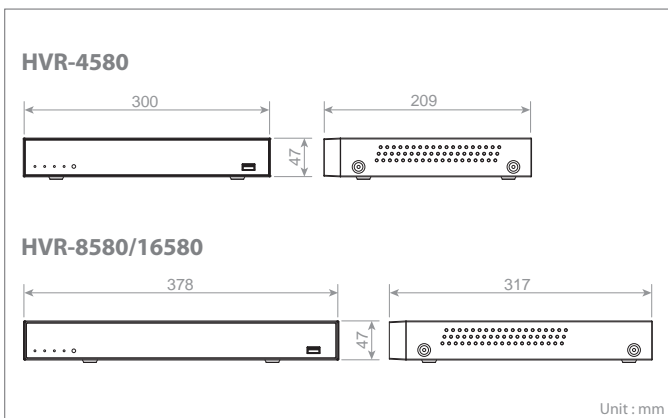
Software

- NC-Titanium
- Tive HD
- Titanium Plus VMS

Optional Accessory

- HAS-08iE (iSCSI Storage)

Dimension



HVR-4580/8580/16580

1080p AHD 4/8/16CH Digital Video Recorder

Key Features

- Real Time Live, Real Time Recording
- H.264 High Profile Hardwired Codec
- Full HD(1920x1080p) Display on HDMI and VGA
- splay on HDMI and VGA
- 2 USB Interface
- 10/100 Base Ethernet

Technical Specifications

Model		HVR-4580	HVR-8580	HVR-16580
Video	Input	4 BNC	8 BNC	16 BNC
	Display Output		VGA, HDMI	
Audio	Input	4 Channel	8 Channel	16 Channel
	Output		1 RCA	
Display	Display FPS(NTSC/PAL)	120fps	240fps	480fps
	VGA Display Resolution		Up to 1920x1080	
	Screen Split Mode	1/4	1/4/6/8/9	1/4/6/8/9/13/16
	PIP and Zoom		PIP/Zone(x2, x4, x6, x8)	
Pentaplex Mode		Simultaneous Live, Recording, Playback, Backup, Network		
Mobile Phone Support		Tive HD		
Recording	Frame Rate	Adjustable Frame Rate for Each Camera		
	Recording Ways	Manual, Schedule, Event(Motion, Sensor)		
	Recording FPS	30fps(Each CH)	30fps(Each CH)	15fps(Each CH)
	Protect Video/Audio File	Protect Video/Audio from HDD Overwrite		
	Still Image Capture	Live or Playback Image Local Capture and Backup for Legal Evidence		
	Internal Hard Drive	1xSATA	2xSATA	2xSATA
Remote Monitoring/Control	10/100 Base Ethernet			
	Dynamic/Static			
	Web Viewer and VMS Support			
	NAT Traversal Support			
	Dual Streaming for Live and Recording			
Playback	Playback Screen Mode	1/4	1/4/6/8/9	1/4/6/8/9/13/16
	Search Mode	Date/Time, Calendar, Event, Motion, Protect, Capture, VCA, Text		
Alarm Control	External Sensor Input	4CH NC/NO	8CH NC/NO	16CH NC/NO
	Alarm Output	1		
Data Backup		USB Flash Memory		
Others	Video Content Analysis	AVI Format for Easy Viewing, Private Format for Image Authentication		
	NTP Server/Client	Yes(with Specific Cameras)		
	System Keyboard	Yes		
	Printer	USB and Support		
	Control	USB or Network Printer		
	Event Log & Pre-Alarm Record	IR Remote Control, USB Mouse, Client Software		
	Auto Deletion	System/Event Log Management, Pre Recording for Motion/Sensor		
	Languages	Setup Recording Duration Per Channel		
	Power Supply	48 Languages Support		
	Dimension	300x47x209mm	12VDC, 2A	
		378x47x317mm		

Specifications are subject to change without notice.