

WTK-363

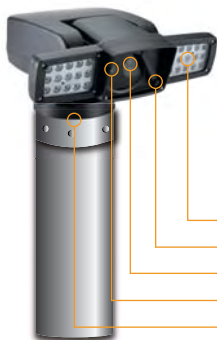
Rugged IR PTZ Camera With Wiper



FEATURES

- 1/4" 613K pixels SONY Super HAD dual scan CCD
- 700TV lines of most high resolution - HR7 mode
- Progressive scan 612,688 pixel
- Optical 36x power zoom and 32x digital zoom
- Dual scan 512x WDR
- Intelligent detection for baggage removed and loaded
- Traffic Control PIP Dual Camera System.
 - Eliminate blind spots while pursuing targets with the Omni-directional SONY CCD camera and the Auto Focus Zoom camera.
 - No extra device needed for PIP.
- Up to 63 preset positions.
- Variable speed control for all motorized functions. (pan, tilt, zoom, focus & wiper)
- 360° unobstructed rotation using the heavy duty long life slip ring.
- All weather, lightweight, high impact aluminum die-cast enclosure (IP66).
- Environmental and air flow control for internal fan/heater and air circulation.
- Built-in wiper system for constant load and reduced noise.
- Built-in Super IR LED 30pcs. (Light distance 200m / manual focusing)
- Smart IR response by Auto Light Control (100 steps)

KEYPOINT



- Dynamic video masking of different areas
- Variable Speed : 0.1°~90°/sec Pan and Tilt
- RS-485/422 Serial interface for PC control set-up and remote f/w upgrade
- IR LEDs OSRAM 870n 1w : 200m (Manual focusing)
- Wiper-Long life, constant load and reduced noise
- 26x, 36x optical zoom capability
- Omnidirectional camera for wide range of view
- PAN Rotation : Continuous, TILT Rotation : -90°~+90°

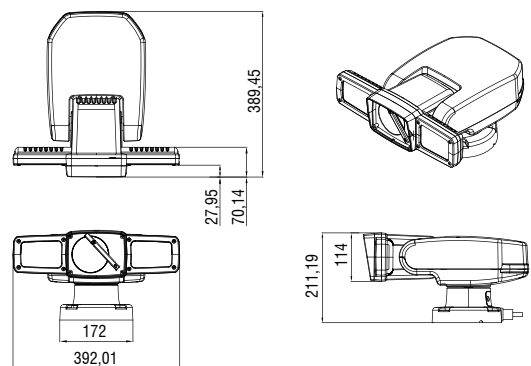
- ❖ 36X zoom camera
- ❖ 700TV Lines
- ❖ PIP Dual camera
- ❖ Super IR 30PCS

SPECIFICATIONS

MECHANICAL		
Pan	Angle	360° Continuous pan
	Manual Speed	0.1° to 90°/sec (64 step proportional to zoom)
	Preset Speed	150°/sec, ±0.1° Accuracy
Tilt	Angle	180°(±90°)
	Manual Speed	0.1° to 90°/sec (64 step proportional to zoom)
	Preset Speed	150°/sec, ±0.1° Accuracy
Dimensions		392.01 (W) x 211.19 (H) x 389.45 (D)
Weight		less then 12.5Kg
Motor	Holding Torque	13.5Kgf/cm, 1.35N.m
	Step Angle	1.8° Deg.
	Winding Type	Bipola
ENVIRONMENTAL		
Ingress Protection		IP66
Construction		Aluminum
Temperature	Operating	-20°C to 50°C
	Storage Temp	-20°C to 60°C
Temperature	Fan	-10°C to 40°C (4 step control)
	Heater	-10°C to 0°C (4 step control)
Operating Control	Humidity	50% to 90% (4 step control)
COMMUNICATION		
PTZ Control	Method	RS-422(4 wire), RS-485(2 wire)
ELECTRICAL		
Power	Voltage	DC11.5V ~ DC30V, AC15 ~ DC30V(60HZ), Dual Power
	Current	DC15V,8A / AC24V,5A
	Heater / Fan	10W, 3.4W
VIDEO		
Camera	Main Zoom Camera	From Sony or Samsung Techwin
	Sub Camera	Board Camera, Color 410K
Video Output	Output	2 Port, Main + Sub(PIP), Sub Only, *PIP(4 Position)
IR ILLUMINATION		
IR LED	Length	200m (Manual Focusing)
	Power	OSRAM 870n, 1W, 30EA

DIMENSIONS

Unit : mm



WTK-363

Rugged IR PTZ Camera With Wiper

CAMERA SELECTION

MODEL	WTK-363N / WTK-363P
Image Sensor	1/4" SONY Super HAD II CCD (Double Scan)
Zoom	Optical 36x, Digital 32x
Total Pixels	NTSC : 1028 (H) x 508 (V) / PAL : 1028 (H) x 596 (V)
Scanning system	Interface
Scanning Frequency	NTSC : 15.734KHz (H) , 59.94Hz(V) / PAL : 15.625KHz(H) , 50Hz(V)
Sync.System	Internal
Resolution	700TV lines (Color) / 800TV lines (BW)
Min.Illumination	Color DSS : 0.001 lux, BW DSS:0.0004 lux / Color : 0.5lux, BW : 0.2 lux
Video Output	1.0 Vp-p (75ohm, composite)
S/N Ratio	More than 50dB(AGC off)
Focal Length	f=3.4mm~122.4mm (F 1.6 to 4.5)
Focus	Auto / Zoom -Trig / Manual
Focus Distance	0.1 / 1.3 / 1.8 / 3.0 / 5.0 m
E.Zoom	Off / Max 2x ~32x
Exposure	Auto / Shutter PRI / Manual
Gain Control	Off / On (Auo Max 32dB)
Shutter Speed	NTSC : 1/60 ~1/100,000sec PAL : 1/50~1/100,000sec
WDR / BLC	Off / WDR / BLC
Day&Night	Auto / Sens-in / Ext / Day / Night
White Balance	ATW / One-Push / Indoor / Outdoor / Manual/ Auto
Image DNR	Off / Manual / Auto
Privacy Mask	Off / 8 zones
Communication	Baud Rate : 2400 / 4800/ 9600 /19200 /38400 Protocol : Pelco-D / Pelco-P / VISCA
Display	Disp Sel / Init Sel / Set Tilt / Set Init Msg / Language

SUB CAMERA

MODEL	NTSC	PAL
Image Sensor	1/3" SONY Super HAD CCD II	
Total Pixels	811(H) x 508(V)	795(H) x 596(V)
Scanning system , Sync. System	2:1 Interface ,Internal	
Scanning Frequency	15.734KHz(H),59.94Hz(V)	15.625KHz(H),50Hz(V)
Resolution	Max 600 TV lines in color (650TV lines in B/W)	
Min. illumination	Color : 0.3 lux , BW : 0.1 lux	
Video Output	1.0 Vp-p (75 ohm, composite)	
S/N Ratio	more than 50dB (AGC off)	

PIP (Picture in Picture)



Auto ICR

These cameras offers optimal sensitivity in both day and night shooting applications. At a set level of darkness, the IR-cut filter is automatically disabled (ICR ON) and the near-infrared sensitivity is increased. At a set level of brightness, the filter is automatically enabled (ICR OFF). The IR-cut filter automatically engages depending on the ambient light, allowing the camera 24/7 operation in a variety of lighting conditions.

GEAR

Heavy-duty Slip Ring allows for long-lasting unobstructed 360° rotation and 180° flip.



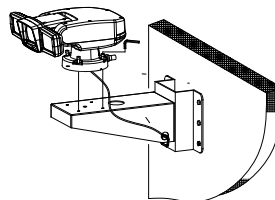
360° Endless Pan Rotation(-90° to 90° Tilt Angle)



APPLICATION



WALL BRACKET



WCA-363

Rugged IR PTZ Camera



FEATURES

- 1/4" 613K pixels SONY Super HAD dual scan CCD
- 700TV lines of highest resolution - HR7 mode
- Progressive scan 612,688 pixel
- Optical 36x power zoom and 32x digital zoom
- Dual scan 512x WDR
- Intelligent detection for baggage removal and loading
- 12pcs of 18ø IR LED(120m manual focusing)
- DC12V version for vehicle application :
The power ground and video ground in DC12V version is unified in common so that the power can be input from vehicle.
- AC24V version for CCTV : AC24V is available for CCTV application.
- IP66 Outdoor Application
- Endless Pan rotation(TOP 15°~270°, BOTTOM 345°~90° tilt angle)
- Up to 63 programmable presets
- less than 0.3° Preset Accuracy
- 8 programmable Tour, 2 Pattern
- Alarm - Move the camera to programmed Preset position with Alarm trigger.(Max. 2)
- 4 Scan(Programmable speed and diagonal scan)
- Programmable Privacy Masking(2 Zones)
- RS-422, RS-485 communication
- Multiple protocol (WTX, PELCO-D V1, PELCO-P, PELCO-D V5)
- Built-in Menu System for Setup of Programmable Functions
- Mechanical Auto Flip
- Programmable Zoom Speed(Optional Update tool)

Auto ICR

These cameras offers optimal sensitivity in both day and night shooting applications. At a set level of darkness, the IR-cut filter is automatically disabled (ICR ON) and the near-infrared sensitivity is increased. At a set level of brightness, the filter is automatically enabled (ICR OFF). The IR-cut filter automatically engages depending on the ambient light, allowing the camera 24/7 operation in a variety of lighting conditions.

- ❖ 36X zoom camera
- ❖ 700TV Lines
- ❖ Support WDR
- ❖ Vehicle application

WCA-363

(HIGH-POWERED OPTICAL 36X ZOOM & WDR)

It incorporates a powerful 36x optical zoom lens, allowing for a zoom capacity of up to 1152x when used in combination with its 32X digital zoom. The integrated Advanced BLC technology is used to improve the cameras dynamic range by 128 times, resulting in high definition image reproduction during extreme high contrast environments.

WDR (Wide dynamic range)

The Camera delivers clear, high quality pictures even in backlight, by increasing exposure in dark areas while decreasing it in bright areas a corrected image with clear details results.



Light Function

It's builtin 12pcs of 18ø IR Lens , So it provides visible distance up to 120m in the dark.(manual focusing)

OPTIONAL

This stable and reliable design makes it ideal for car application such as traffic monitoring, car surveillance, because it has IP66 grade, Aluminum die-casting body and Image Stabilizer function.

* Additional IR Models are not recommended for car application.



Enhanced Auto Focusing & Smart Lens Control

The newly developed focus motor adopts the special ceramic ball as a pedestal of shaft (current one is steel ball). This will greatly enhance the durability of the focus motor. By increasing the speed of rotation of the zoom motor and redesigning the motor screw, the zoom speed will be faster.(4.0sec --> 2.5sec)

These cameras all feature this function. Each incorporates SMART Lens Control technology, which monitors the focus position of the lens while zooming, and automatically compensates for any mechanical misalignment that may occur over long periods of continuous usage. With this beneficial feature, periodic lens initialization is no longer required during continuous 24-hour operation.



WCA-363

Rugged IR PTZ Camera

SPECIFICATIONS

MECHANICAL	
Pan	360° Endless Pan 0.1° to 100°/sec.
Pan Preset Speed	110°/sec, 0.3° Accuracy
Tilt	TOP 15°~270° , BOTTOM 345°~90° tilt angle, Proportional to zoom
Tilt Preset Speed	60°/sec, 0.3° Accuracy
Weight	2.7kg
Dimensions	138(Ø) x 212(H) mm

ENVIRONMENTAL	
Construction	Aluminum
Ingress Protection	IP66
Color	Black
Operating Temp	-20°C to 50°C (Fan&Heater power ON)
Humidity	0% to 90%

FUNCTIONS	
Preset	63 points
Tour	8 programmable
Pattern	2 patterns
Flip	Mechanical / Auto / Off (Rotate 90° at bottom of tilt)
Auto Scan	4 (programmable speed and diagonal scan)
Privacy Zone	2 blocks with title (Masking / Video off)
Address	Up to 255 selectable ID (Rotary switch)
Data Communication	RS-485 / RS-422
Protocol	Multiple protocol(WTX, PELCO-D V1, PELCO-P, PELCO-D V5)
Baud rate	2400, 4800, 9600, 19200, 38400 ,57600, 115200 bps
Alarm In	2 alarm (NO/NC, Priority)
Alarm Out	2 relay out (Hold, Latch)
Display	Zone title on/off (start / end zone)

ELECTRICAL	
Power	DC 12V, 40W, 3.3A (Power adaptor not included) IR : 1.9A (23W) (Fan & Heater ON)
Light	12pcs of 18Ø IR LED
Light distance	120m (manual focusing)

CERTIFICATION	
CE, FCC CLASS A, RoHS	

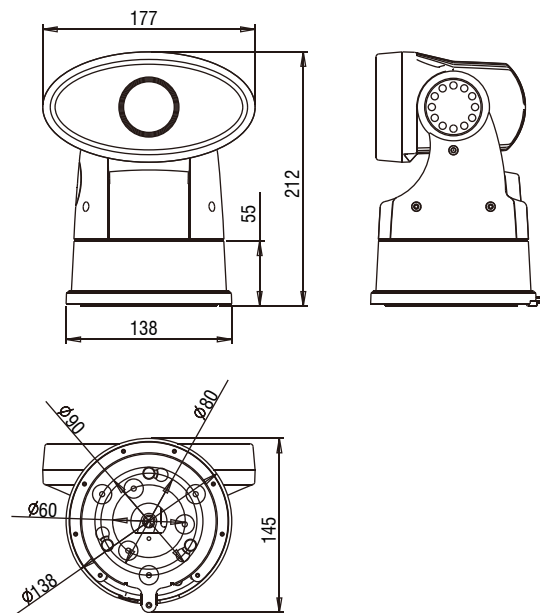
12VDC model is designed for vehicle application. Ground for both power and video is just one and therefore the power is not isolated and may be damaged by surge input if it is installed in general circumstance not in Vehicle.

CAMERA SELECTION

MODEL	WCA-363N / WCA-363P
Image Sensor	1/4" SONY Super HAD II CCD (Double Scan)
Zoom	Optical 36x, Digital 32x
Total Pixels	NTSC:1028 (H) x 508 (V) / PAL : 1028 (H) x 596 (V)
Scanning system	Interlace
Scanning Frequency	NTSC:15.734KHz (H), 59.94Hz(V) / PAL: 15.625KHz(H) , 50Hz(V)
Sync System	Internal
Resolution	700TV lines (Color) / 800TV lines (BW)
Min. Illumination	Color DSS :0.001 lux, BW DSS:0.0004 lux / Color :0.5lux, BW:0.2 lux
Video Output	1.0 Vp-p (75ohm, composite)
S/N Ratio	More than 50dB(AGC off)
Focal Length	f=3.4mm~122.4mm (F 1.6 to 4.5)
Focus	Auto/ One Push / Manual / infinity
Focus Distance	0.1 / 1.3 / 1.8 / 3.0 / 5.0 m
E.Zoom	Off / Max 2x ~32x
Exposure	Auto / Shutter PRI / Manual
Gain Control	Off / On (Auo Max 32dB)
Shutter Speed	NTSC: 1/60 ~1/100,000sec PAL : 1/50~1/100,000sec
WDR / BLC	Off / WDR / BLC
Day&Night	Auto / Day / Night
White Balance	ATW / One-Push / Indoor / Outdoor / Manual/ Auto
Image DNR	Off / Manual / Auto
Privacy Mask	Off / 8 zones
Communication	Baud Rate : 2400, 4800, 9600, 19200, 38400 , 57600, 115200 bps Protocol : WTX, PELCO-D V1, PELCO-P, PELCO-D V5
Display	Disp Sel / Init Sel / Set Title / Set Init Msg / Language

DIMENSIONS

Unit : mm



WCA-363A

Rugged IR PTZ Camera



FEATURES

- 1/4" 613K pixels SONY Super HAD dual scan CCD
- 700TV lines of most highest resolution - HR7 mode
- Progressive scan 612,688 pixel
- Optical 36x power zoom and 32x digital zoom
- Dual scan 512x WDR
- Intelligent detection for baggage removal and loading
- 12pcs of 18ø IR Lens (120m manual focusing)
- AC24V version for CCTV
- DC12V version for vehicle application available
- IP66 Outdoor Application
- Endless Pan rotation(TOP 15°~270°, BOTTOM 345°~90° tilt angle)
- Up to 63 programmable presets
- less than 0.3° Preset Accuracy
- 8 programmable Tour, 2 Pattern
- Alarm - Move the camera to programmed Preset position with Alarm trigger. (Max. 2)
- 4 Scan(Programmable speed and diagonal scan)
- Programmable Privacy Masking(2 Zones)
- RS-422, RS-485 communication
- Multiple protocol (Pelco-D, Pelco-P, Wonwoo)
- Built-in Menu System for Setup of Programmable Functions
- Mechanical Auto Flip
- Programmable Zoom Speed(Optional Update tool)

Auto ICR

These cameras offer optimal sensitivity in both day and night shooting applications. At a set level of darkness, the IR-cut filter is automatically disabled (ICR ON) and the near-infrared sensitivity is increased. At a set level of brightness, the filter is automatically enabled (ICR OFF). The IR-cut filter automatically engages depending on the ambient light, allowing the camera 24/7 operation in a variety of lighting conditions.

❖ 36X zoom camera

❖ 700TV Lines

❖ Support WDR

WCA-363

(HIGH-POWERED OPTICAL 36X ZOOM & WDR)

It incorporates a powerful 36x optical zoom lens, allowing for a zoom capacity of up to 1152x when used in combination with its 32X digital zoom. The integrated Advanced BLC technology is used to improve the cameras dynamic range by 128 times, resulting in high definition image reproduction during extreme high contrast environments.

WDR (Wide dynamic range)

The Camera delivers clear, high quality pictures even in backlight, by increasing exposure in dark areas while decreasing it in bright areas a corrected image with clear details results.



Light Function

It's builtin 12pcs of 18ø IR Lens , So it provides visible distance up to 120m in the dark.(manual focusing)

Enhanced Auto Focusing & Smart Lens Control

The newly developed focus motor adopts the special ceramic ball as a pedestal of shaft (current one is steel ball). This will greatly enhance the durability of the focus motor. By increasing the speed of rotation of the zoom motor and redesigning the motor screw, the zoom speed will be faster.(4.0sec --> 2.5sec)

These cameras all feature this function. Each incorporates SMART Lens Control technology, which monitors the focus position of the lens while zooming, and automatically compensates for any mechanical misalignment that may occur over long periods of continuous usage. With this beneficial feature, periodic lens initialization is no longer required during continuous 24-hour operation.



WCA-363A

Rugged IR PTZ Camera

SPECIFICATIONS

MECHANICAL	
Pan	360° Endless Pan 0.1° to 100°/sec.
Pan Preset Speed	110°/sec, 0.3° Accuracy
Tilt	TOP 15°~270°, BOTTOM 345°~90° tilt angle, Proportional to zoom
Tilt Preset Speed	60°/sec, 0.3° Accuracy
Weight	2.7kg
Dimensions	138(Ø) x 212(H) mm

ENVIRONMENTAL	
Construction	Aluminum
Ingress Protection	IP66
Color	Black
Operating Temp	-20°C to 50°C (Fan&Heater power ON)
Humidity	0% to 90%

FUNCTIONS	
Preset	63 points
Tour	8 programmable
Pattern	2 patterns
Flip	Mechanical / Auto / Off (Rotate 90° at bottom of tilt)
Auto Scan	4 (programmable speed and diagonal scan)
Privacy Zone	2 blocks with title (Masking / Video off)
Address	Up to 255 selectable ID (Rotary switch)
Data Communication	RS-485 / RS-422
Protocol	Multiple protocol(WTX, PELCO-D V1, PELCO-P, PELCO-D V5)
Baud rate	2400, 4800, 9600, 19200, 38400, 57600, 115200 bps
Alarm In	2 alarm (NO/NC, Priority)
Alarm Out	2 relay out (Hold, Latch)
Display	Zone title on/off (start / end zone)

ELECTRICAL	
Power	AC24V, 50W, 2.1A (Power adaptor not included)
Light	12pcs of 18Ø IR Lens
Light distance	120m (manual focusing)

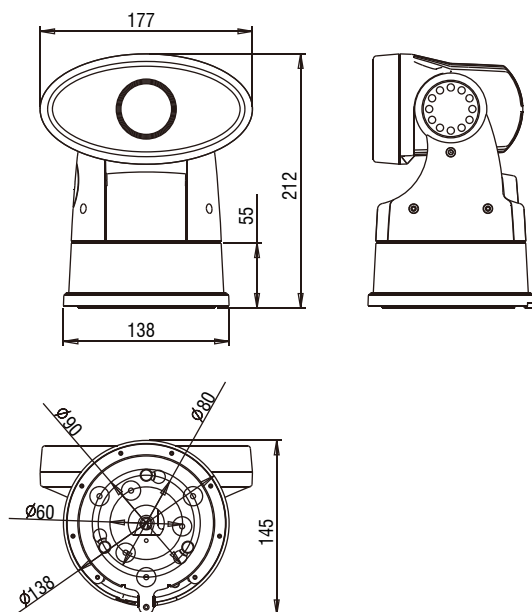
CERTIFICATION	
CE, FCC CLASS A, RoHS	

CAMERA SELECTION

MODEL	WCA-363AN / WCA-363AP
Image Sensor	1/4" SONY Super HAD II CCD (Double Scan)
Zoom	Optical 36x, Digital 32x
Total Pixels	NTSC:1028 (H) x 508 (V) / PAL : 1028 (H) x 596 (V)
Scanning system	Interlace
Scanning Frequency	NTSC:15.734KHz (H), 59.94Hz(V) / PAL: 15.625KHz(H), 50Hz(V)
Sync.System	Internal
Resolution	700TV lines (Color) / 800TV lines (BW)
Min.Illumination	Color DSS :0.001 lux, BW DSS:0.0004 lux / Color :0.5lux, BW:0.2 lux
Video Output	1.0 Vp-p (75ohm, composite)
S/N Ratio	More than 50dB(AGC off)
Focal Length	f=3.4mm~122.4mm (F 1.6 to 4.5)
Focus	Auto/ One Push / Manual / infinity
Focus Distance	0.1 / 1.3 / 1.8 / 3.0 / 5.0 m
E.Zoom	Off / Max 2x ~32x
Exposure	Auto / Shutter PRI / Manual
Gain Control	Off / On (Auo Max 32dB)
Shutter Speed	NTSC: 1/60 ~1/100,000sec PAL : 1/50~1/100,000sec
WDR / BLC	Off / WDR / BLC
Day&Night	Auto / Day / Night
White Balance	ATW / One-Push / Indoor / Outdoor / Manual/ Auto
Image DNR	Off / Manual / Auto
Privacy Mask	Off / 8 zones
Communication	Baud Rate : 2400, 4800, 9600, 19200, 38400, 57600, 115200 bps Protocol : WTX, PELCO-D V1, PELCO-P, PELCO-D V5
Display	Disp Sel / Init Sel / Set Tilt / Set Init Msg / Language

DIMENSIONS

Unit : mm



WCA-Series Application Guide

Rugged IR PTZ Camera

APPLICATION



OPTIONAL(LCS-261 : Light Bar Camera System) / INSTALLATION GUIDE



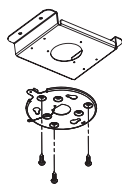
This stable and reliable design makes ideal for car application such as traffic monitoring, car surveillance, because it has IP66 grade, Aluminum die-casting body and Image Stabilizer function.

* Additional IR Models are not recommended for car application.

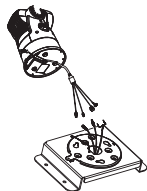


* This bracket is supplied to vehicle application only.

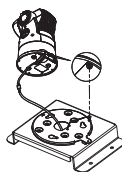
VB1



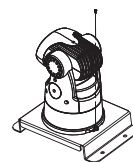
1



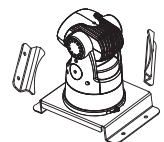
2



3

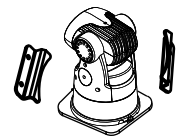
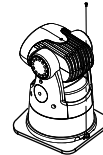
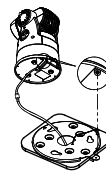
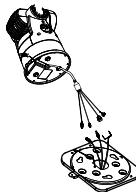


4

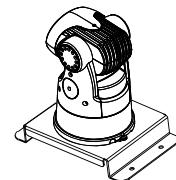


5

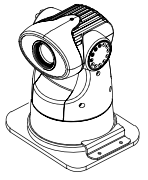
VB2



1. Attached the camera base plate to the bracket base plate by using M4x8 SUS screws.
2. Pull out the cable from the hole of bracket base plate and connect with camera.(See picture no.2 --->)
3. Connect the safety wire of camera base plate to the bottom of camera by using TH3X6 screws.
(Screws are enclosed in the accessory pack)
4. Fix the screw (PH 3x6) with the camera body and camera base plate.
(Screws are enclosed in the accessory pack)
5. Attach the guide plate to the bracket base by using M4x8 screws. (VB1) , (VB2: M4x8 TH / M4 SPRING W/S)

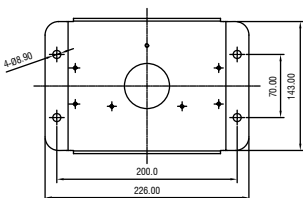


VB1

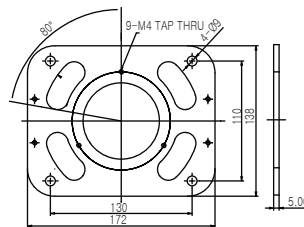
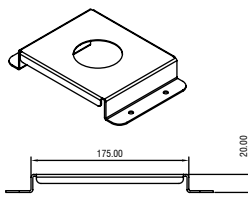


VB2

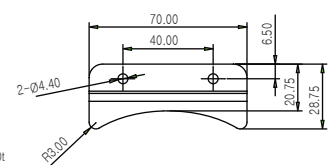
DRAWING



VB1



VB2



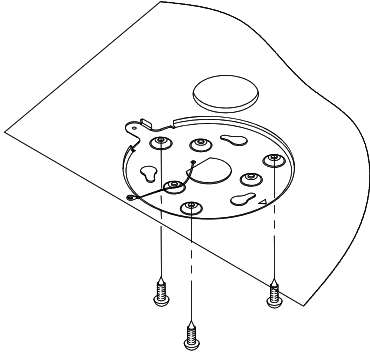
WCA-Series Application Guide

Rugged IR PTZ Camera

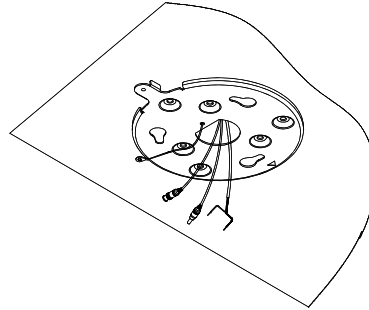
INSTALLATION

The following steps of installation and connection work should be done by qualified service personnel or system installers and should conform to all local codes.

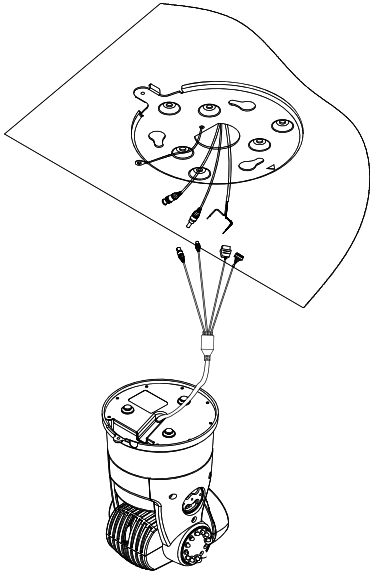
- 1** Fix the base plate after making holes on the ceiling.



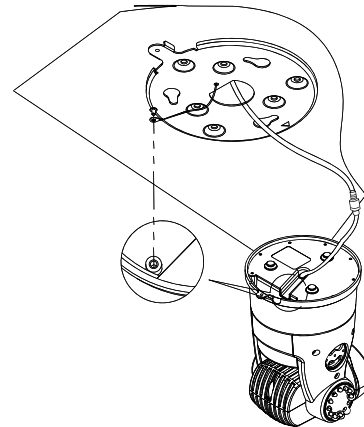
- 2** Pull out the cable where the camera will be installed.



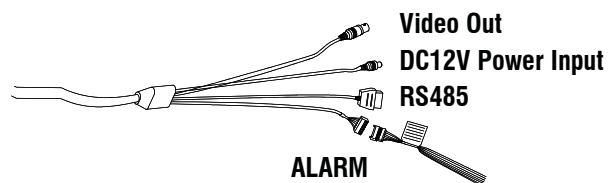
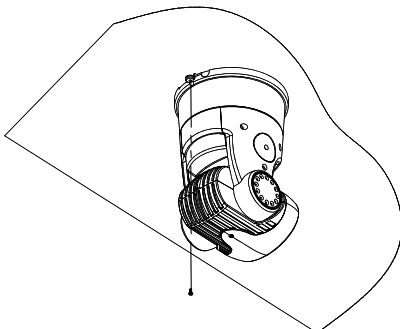
- 3** Connect the cables



- 4** Connect the safety cable to the camera base and base plate using enclosed screws(TH 3x6).



- 5** Fix the screw(BH 3x6) after fix the camera on the ceiling.



WCC-E261

Rugged PTZ Camera

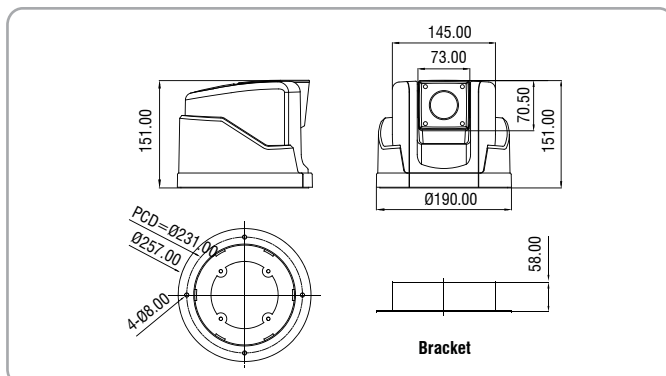


FEATURES

- 1/4" 740K pixel Super HAD CCD
- High-powered Sony 26x optical zoom, Digital 12x zoom
- Digital Image Stabilizer
- Specially useful for Police car and other special applications
- Endless Pan rotation (-45° to 90° Tilt angle)
- Up to 63 programmable presets
- less than $\pm 0.1^\circ$ Preset Accuracy
- 8 programmable Tours, 4 Patterns
- Alarm - Move the camera to programmed Preset position with Alarm trigger. (Max. 2)
- 4 Scan (Programmable speed and diagonal scan)
- Programmable Privacy Masking (2 Zones)
- RS-422, RS-485 communication
- Multiple protocol (Pelco-D, Pelco-P, Wonwoo)
- Built-in Menu System for Setup of Programmable Functions
- Mechanical Auto Flip
- Programmable Zoom Speed (Optional Update tool)
- DC 12V, 3A
- IPx5
- E-mark for Vehicle Application

DIMENSIONS

Unit : mm



- ❖ 26X zoom camera
- ❖ 470TV Lines
- ❖ Image Stabilizer
- ❖ Vehicle application

SPECIFICATIONS

MECHANICAL	
Pan	360° Endless Pan 0.1° to 100°/sec.
Pan Preset Speed	110°/sec, $\pm 0.1^\circ$ Accuracy
Tilt	-45° to 90° tilt angle (64steps proportional to zoom)
Tilt Preset Speed	60°/sec, $\pm 0.05^\circ$ Accuracy
Weight	4kg
Dimensions	190(Ø) x 151(H) mm

ENVIRONMENTAL	
Construction	Aluminum
Color	Black or Cool Gray
Operating Temp	-20°C to 50°C (Fan&Heater power ON)
Humidity	0% to 90%

FUNCTIONS	
Preset	63 points less than 0.1° accuracy
Tour	8 programmable
Pattern	4 patterns
Flip	Mechanical / Auto / Off (Rotate 180° at bottom of tilt)
Auto Scan	4 (programmable speed and diagonal scan)
Privacy Zone	2 blocks with title (Masking / Video off)
Address	Up to 255 selectable ID (Rotary switch)
Data Communication	RS-485 / RS-422
Protocol	Multiple protocol
Baud rate	2400 / 38400 bps, Automatic
Alarm In	2 alarm (NO/NC, Priority)
Alarm Out	2 relay out (Hold, Latch)
Display	Zone title on/off (start / end zone)

ELECTRICAL	
Power	DC 15V, 50/60Hz, 3A (Power adaptor not included)
Consumption	18.0 W (1.0A Max.)
Fan & Heater	42W

LIGHT BAR SPECIFICATION	
Rated Voltage	DC 12V
Rotation Number of Reflector	80 ~ 120 / Mins

CERTIFICATION	
CE, FCC CLASS A, RoHS	

OPTIONAL (LCS-261)



WCC-E261

Rugged PTZ Camera

CAMERA SPECIFICATIONS

MODEL	WCC-E261N	WCC-E261P
Image Sensor	1/4" Inch Sony Super HAD CCD	
Effective Pixels	Approx. 680K	Approx. 800K
Horizontal Resolution	470TV Lines	
Minimum Illumination	0.7 lx (Typical, 30 IRE)	
	0.05 lx (IGR mode)	
	0.001 lx (DSS B/W mode)	
Lens	Optical 26x, digital 12x Zoom	
	f=3.5mm (Wide) to 91.0mm (Tele), F1.6 to F3.8	
S/N ratio	More than 50dB	
Pan	Angle	0 ~ 360° (Endless)
	Manual Speed	More than 100°/sec
	Preset Speed	More than 120°/sec
Tilt	Angle	-45° to 60°
	Manual Speed	More than 60°/sec
On-Screen Display	Camera ID, Camera name, Area name and Preset number	
Auto Swing	Max. 4 Pan Swing (2 Position Swing)	
Preset	63 positions	
Guard Tour	4 Tours, Consisting of 63 presets and functions	
ID(Camera Address)	0 ~ 255 address	
Control	RS-485, Baud rate : 2400 / 38400bps, Automatic	
Construction	Die-cast Aluminum & "O"-Ring sealed.	
	All internal parts are corrosion protected epoxy powder coating.	
Power	DC 15V 50/60Hz 3A	
Operating Temperature	-20°C to 50°C (Heater power ON)	
Humidity	30 to 90%RH (Non-condensing)	
Dimensions / Weight	190(Ø) x 151(H) mm / 4kg	
Certification	CE, FCC, IPx5, E-mark	

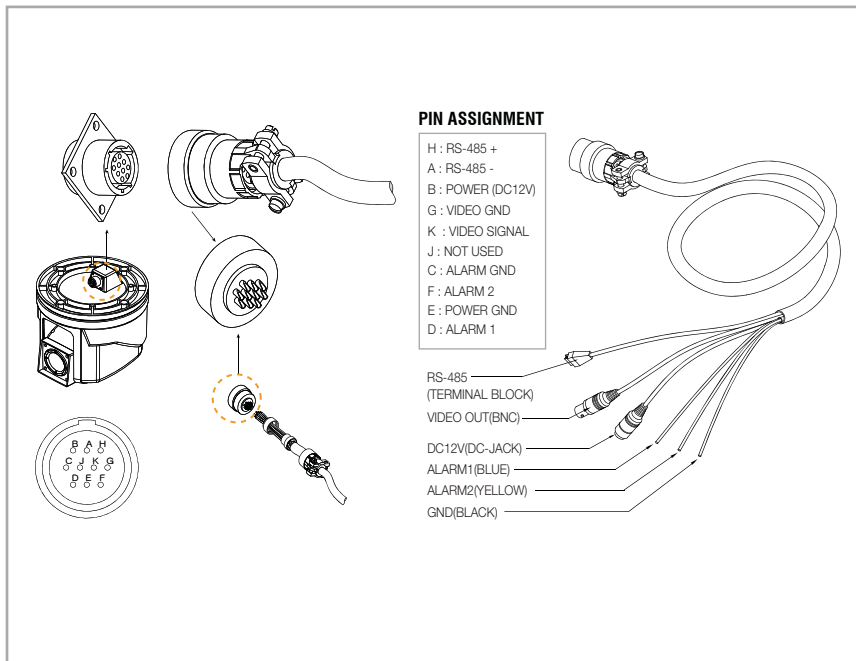
*Manual pan speed is set as 70°/sec for accurate control, please talk with manufacturer if faster control is necessary.

APPLICATION

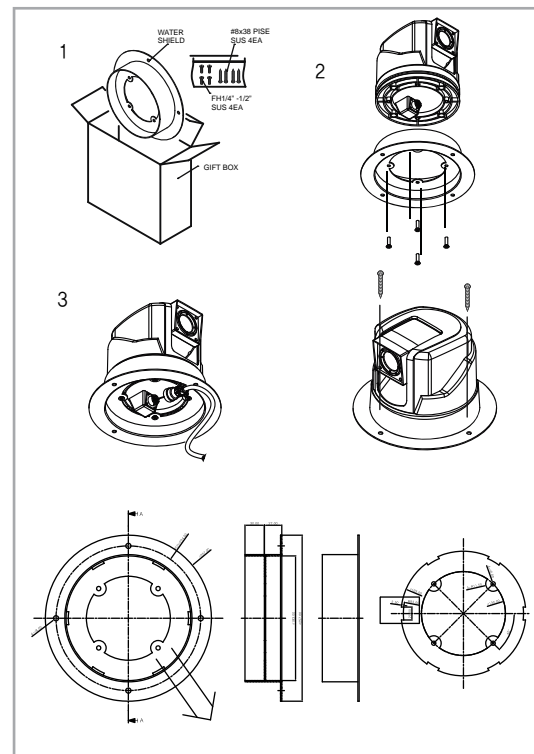
This stable and reliable design makes it ideal for car application such as traffic monitoring, car surveillance, because it has an Aluminum die-casting body and Image Stabilizer function.



CABLE CONNECTION



CAR BRACKET



WCM-101

Rugged Mini PTZ Camera

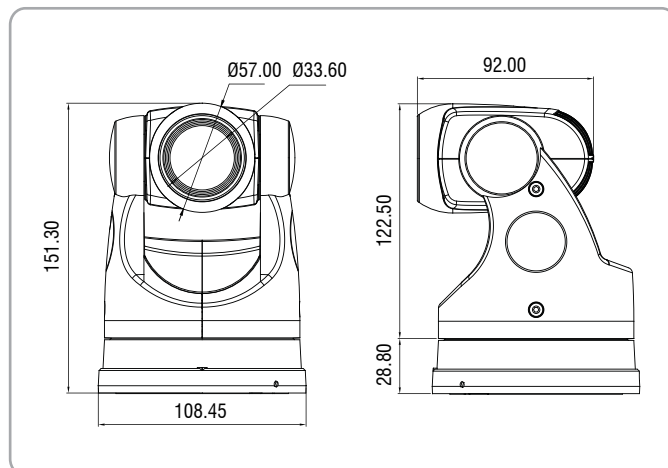


FEATURES

- 1/4" Super HAD CCD, Samsung optical 10x zoom
- Endless Pan rotation (-45° to 90° Tilt angle)
- Up to 63 programmable presets
- less than $\pm 0.1^\circ$ Preset Accuracy
- 8 programmable Tours, 4 Patterns
- Alarm - Move the camera to programmed Preset position with Alarm trigger.(Max. 2)
- 4 Scan(Programmable speed and diagonal scan)
- Programmable Privacy Masking(4 Zones)
- RS-422, RS-485 communication
- Multiple protocol (Pelco-D, Pelco-P, Wonwoo)
- Built-in Menu System for Setup of Programmable Functions
- Mechanical Auto Flip
- Programmable Zoom Speed(Optional Update tool)
- DC 12V, 600mA
- IP64
- E-mark for Vehicle Application

DIMENSIONS

Unit : mm



❖ SAMSUNG Module

❖ 10X zoom camera

❖ 520TV Lines

SPECIFICATIONS

MECHANICAL

Pan	360° Endless Pan 0.1° to 100°/sec.
Preset Speed	110°/sec, $\pm 0.1^\circ$ Accuracy
Tilt	-45° to 90° tilt angle (64steps proportional to zoom)
Preset Speed	60°/sec, $\pm 0.05^\circ$ Accuracy
Weight	1.2kg
Dimensions	108.45(Ø) x 151.30(H) mm

ENVIRONMENTAL

Construction	Aluminum
Ingress Protection	IP64 (Outdoor Housing)
Color	Black or Cool Gray
Operating Temp	-20°C to 50°C (Fan&Heater power ON)
Humidity	0% to 90%

FUNCTIONS

Preset	63 points less than 0.1° accuracy
Tour	8 programmable
Pattern	4 patterns
Flip	Auto flip ON / Off (rotate 180° at bottom of tilt)
Auto Scan	4 (programmable speed and diagonal scan)
Privacy Zone	4 blocks with title (Masking / Video off)
Address	Up to 255 selectable ID (Rotary switch)
Control	RS-485 / RS-422 Multiple protocol
Alarm In	2 alarm (NO/NC, Priority)
Alarm Out	2 relay out (Hold, Latch)
Display	4 Area title Zone title on/off (start / end zone)

ELECTRICAL

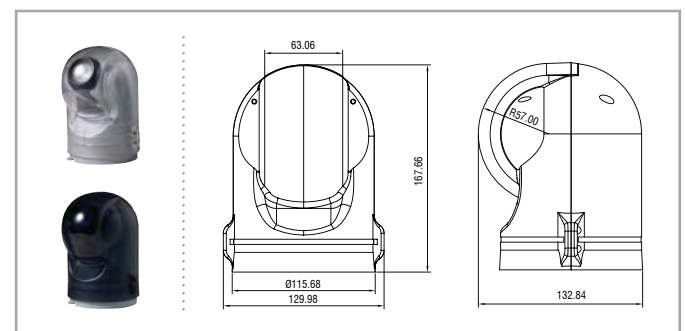
Power	DC 12V, 600mA (Power adaptor not included)
Consumption	18.0 W (1.0A Max.)
Fan & Heater	42W

CERTIFICATION

CE EMC, FCC CLASS A, RoHS, E-mark

OPTIONAL HOUSING(WCMH-101)

Unit : mm



WCM-101

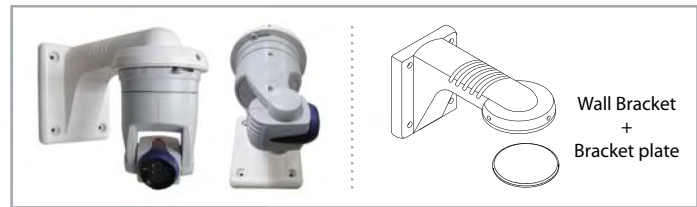
Rugged Mini PTZ Camera

CAMERA SPECIFICATIONS

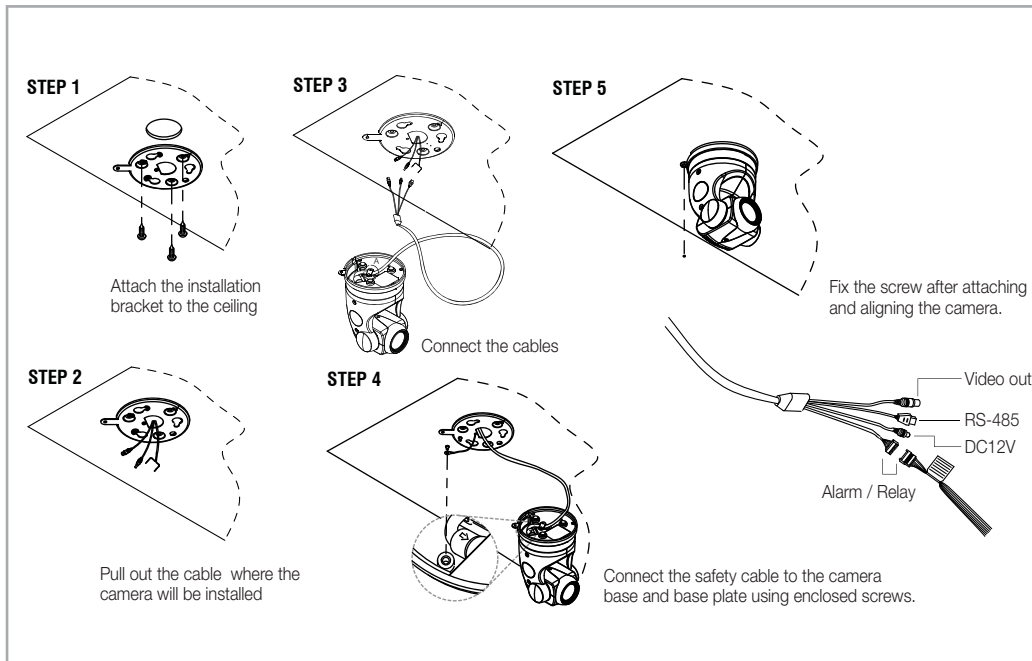
MODEL	WCM-101N	WCM-101P
Image sensor	1/4" Super HAD CCD	
Total Pixels	811(H) x 508(V)	795(H) x 596(V)
Effective Pixels	768(H) x 494(V)	752(H) x 582(V)
Scanning System	2 : 1 Interlace, 525 Lines / 60 Fields / 30 Frames	2 : 1 Interlace, 625 Lines / 50 Fields / 25 Frames
Synchronization	Internal	
Scanning Frequency	Horizontal : 15.734KHz Vertical : 59.94Hz	Horizontal : 15.625KHz Vertical : 50Hz
Horizontal Resolution	Color(Wide) : 520TV Lines(Min.), B/W(Wide) : 570TV Lines(Min.)	
Video Output	CVBS : 1.0Vp-p / 75Ω	
Lens	Optical 10X, Digital 10x zoom f3.8 ~ 38.0mm (F2.8)	
Min. Focus Distance	1.0m	
Angle Field of View	Horizontal : Appr. 51.2°(Wide) to 5.58°(Tele) Vertical : Appr. 39.3°(Wide) to 4.27°(Tele)	
Digital Zoom	Built-in (2X ~ 10X, Total 100X zoom)	
S / N Ratio (Y signal)	50dB (AGC off, Weight on)	
Min. Illumination	0.7Lux@F2.8 (50 IRE) : Color mode 0.02Lux@F2.8 (50 IRE) : B/W mode	
Back Light Compensation	Low / Middle / High / Off selectable	
Day & Night	Color / Auto1 / Auto2 / B/W (ICR filter change)	
Gain Control	Normal / High / Off selectable	
White Balance	ATW / AWC / Manual selectable (1800°K ~ 10,500°K)	
Electronic Shutter Speed	Auto / Manual selectable (1/60 ~ 1/120,000)	Auto / Manual selectable (1/50 ~ 1/120,000)
DSS	On / Off (Selectable limit ~ 128X)	
DNR	Low / Middle / High / Off selectable	
Function	63 Presets, 9 Tours, 4 Scan, 4 Area, 4 Pattern, 2 Alarm, Autoscan	

MODEL	WCM-101N	WCM-101P
Privacy Function	Max. 4 Programmable zones	
Preset Positions	63 Positions	
Rotation Angle	Pan : 360° Endless / Tilt : -45° ~ 190° (Mechanical auto flip)	
Rotation Speed	Pan : 110°/sec (Preset 110°/sec) Tilt : 35°/sec (Preset 50°/sec)	
Flip	Auto flip ON / OFF	
Lens Initialization	Built-in	
Focus Control	Auto / Manual / One push selectable	
Iris Control	Auto / Manual selectable	
Protocols	PELCO-D, P, WONWOO	
Communication	RS-485	
Power Consumption	DC 12V (±10%), 1.5A	
Operating Temperature	-10°C ~ +45°C (No chilly wind)	
Operating Humidity	20% ~ 75% RH	
Certification	CE, FCC, RoHS, IP64, E-mark	
Dimensions	Ø108.45(W) x 151.30(H)mm	
Weight	1.2Kg	

BRACKET(WB-300)



INSTALLATION



Anti-Vibration buffer with two ball bearing and Pan belt

